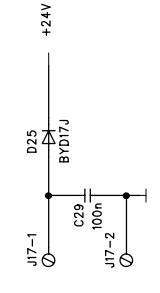
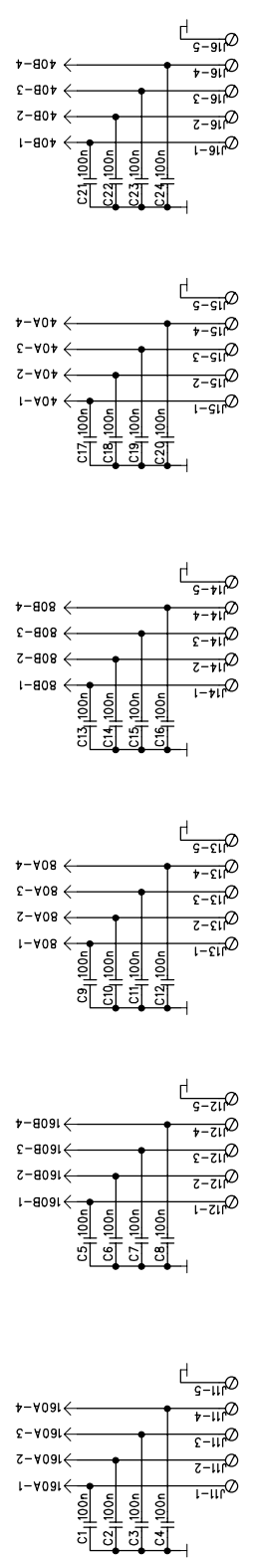
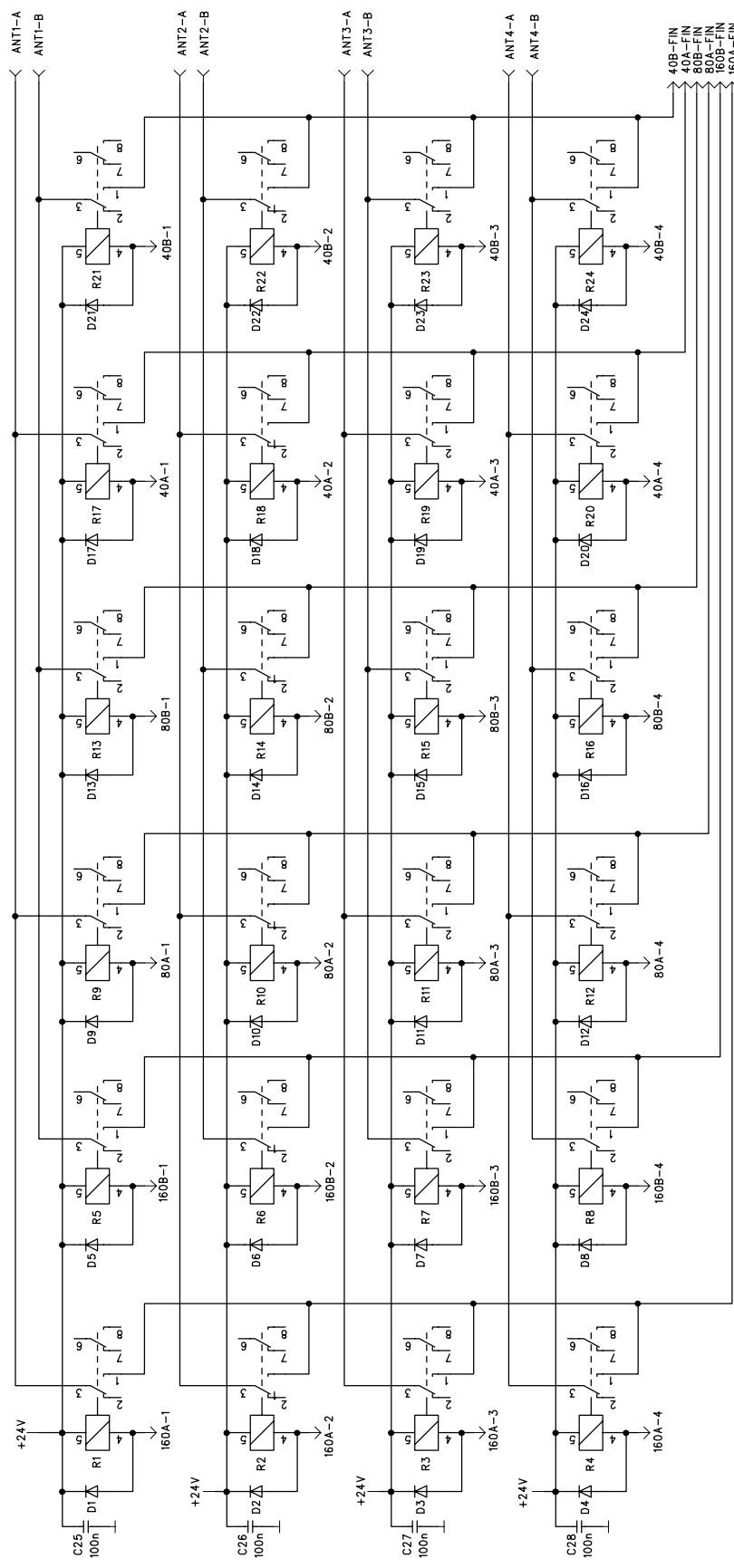


Ltr		Qty		Change		Reason / ECO no		Design		Date Review		Date Appr.	



Drawn	Arch	Serial	Sheet	Cooperator's
			1/2	doc no
Review				
Appr	BEVERAGEBOKSI ALA OH7JR			
Design	RELEMATRIISI			
Replaces	CIRCUIT DIAGRAM			
Replaced by	Scale	1:1		
		Dwg no		
		Rev		